

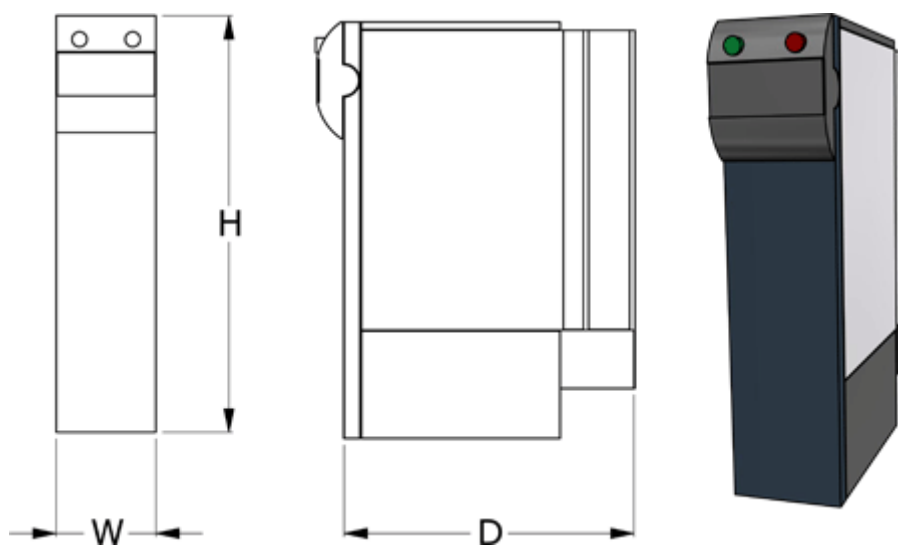
Data Sheet



Article number: 1080401181000

Description: Servocontroller ACU401-18-FA
4 kW 7,8A 3x400V IP20

Measures



D = 175

H = 250

W = 60

Weight = 1.6